

CUSTOM MADE SHELL BOOTS

Custom order your own boots from Lundhags. Fill out the form and let our shoemakers do the rest.

1 FILL IN YOUR INFORMATION

NAME:

ADDRESS:

ZIP CODE / TOWN:

PHONE:

EMAIL:

2 YOUR SHOE SIZE & MODEL

MY USUAL SHOE SIZE:

DESIRED SIZE OF LUNDHAGS BOOT:

KNOWN FOOT PROBLEMS:

MODEL/COLOR:

OTHER:

3 FILL IN YOUR MEASUREMENTS

LEFT FOOT

1 MM

2 MM

3 MM

4 MM

5 MM

RIGHT FOOT

1 MM

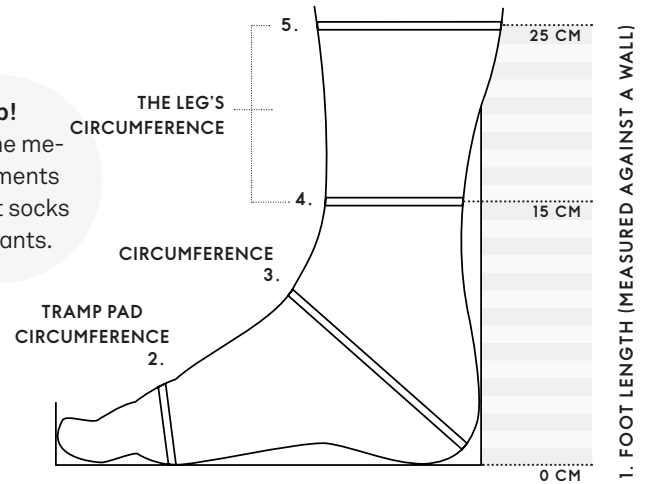
2 MM

3 MM

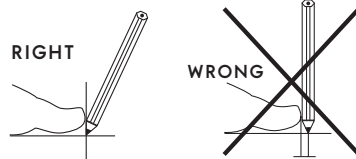
4 MM

5 MM

Tip!
Take the measurements without socks and pants.



4 DRAW BOTH FEET



5 SEND IN BY POST

Send in per post
Att: Skomakare Jonte Grundelius
Brav Sweden AB, Box 29,
837 22 Järpen, Sweden

THE SHOEMAKER'S NOTES

MODEL:

COLOR:

SIZE/LAST:

PRICE: